

Technical data sheet

Product features



Open stand

Model

SAP Code

00008185



– Material: AISI 304

Technical data sheet

Technical drawing

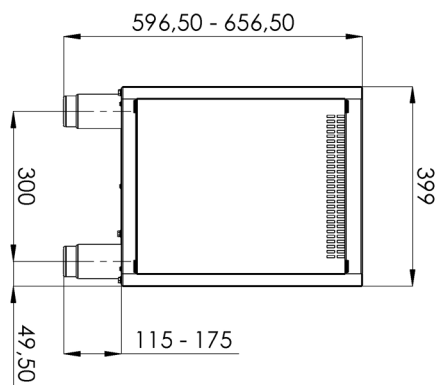
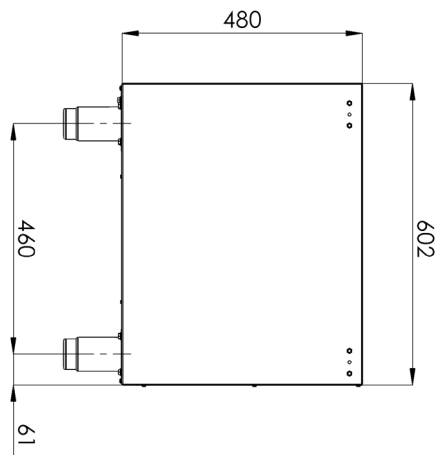


Open stand

Model

SAP Code

00008185



Technical data sheet

Technical parameters



Open stand

Model	SAP Code	00008185
-------	----------	----------

1. SAP Code:

00008185

9. Gross Weight [kg]:

18.50

2. Net Width [mm]:

400

10. Material:

AISI 304

3. Net Depth [mm]:

730

11. Adjustable feet:

Yes

4. Net Height [mm]:

600

12. Exterior color of the device:

Stainless steel

5. Net Weight [kg]:

15.20

13. Material of feet:

stainless steel

6. Gross Width [mm]:

440

14. Surface finish:

polished stainless steel

7. Gross depth [mm]:

800

15. Construction type of device:

Stationary

8. Gross Height [mm]:

1080